

CROWN

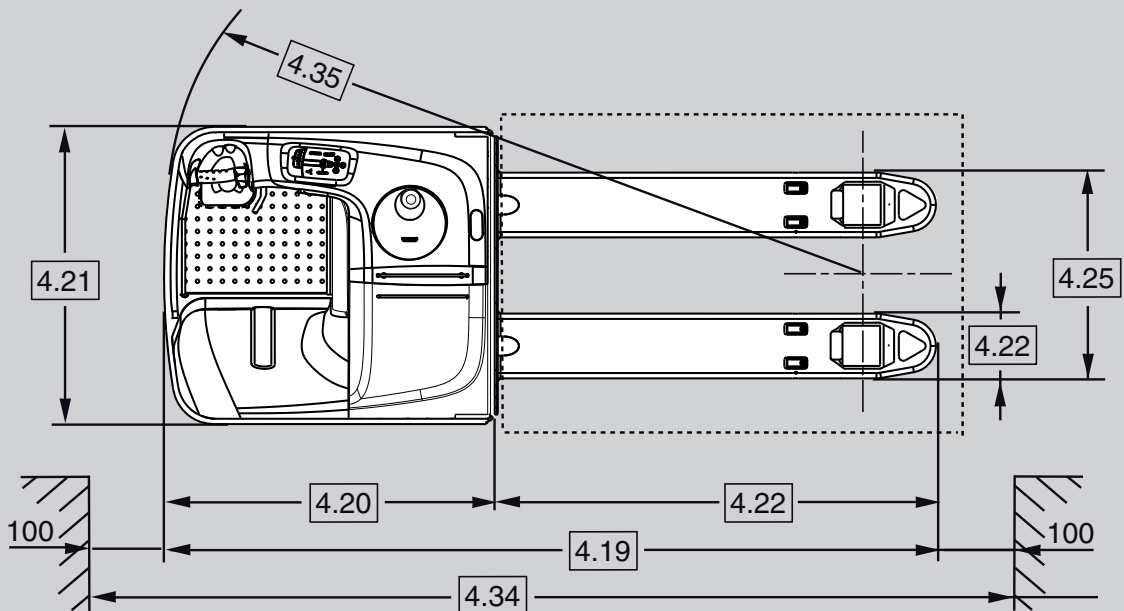
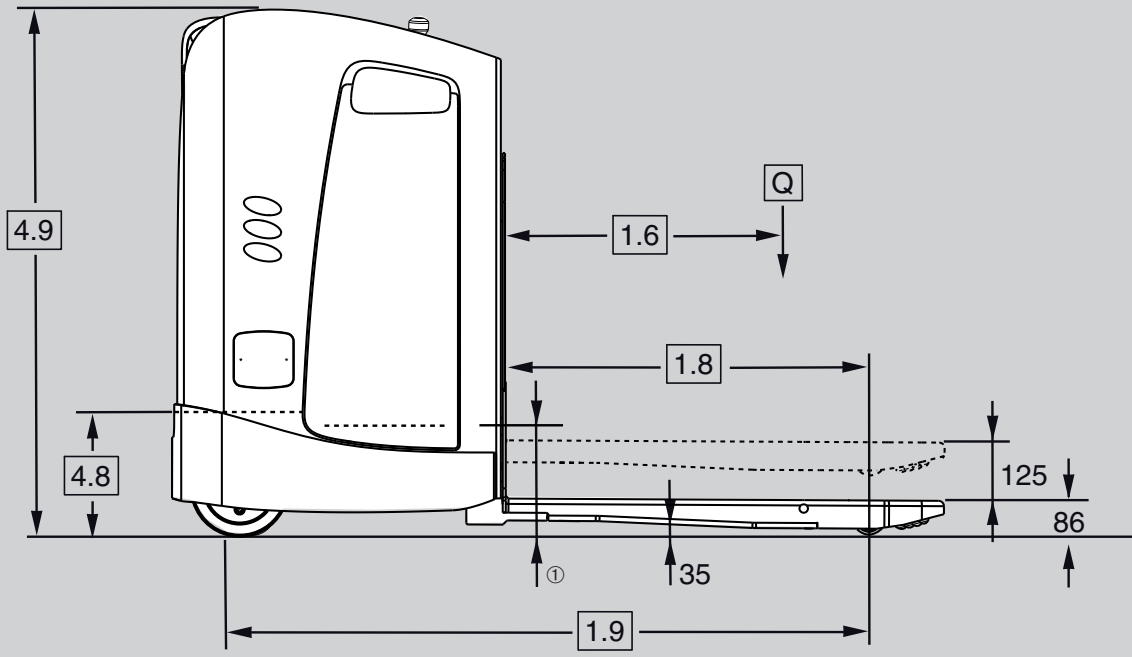
RT 4000 SERIES

Specifications

Rider Pallet Truck

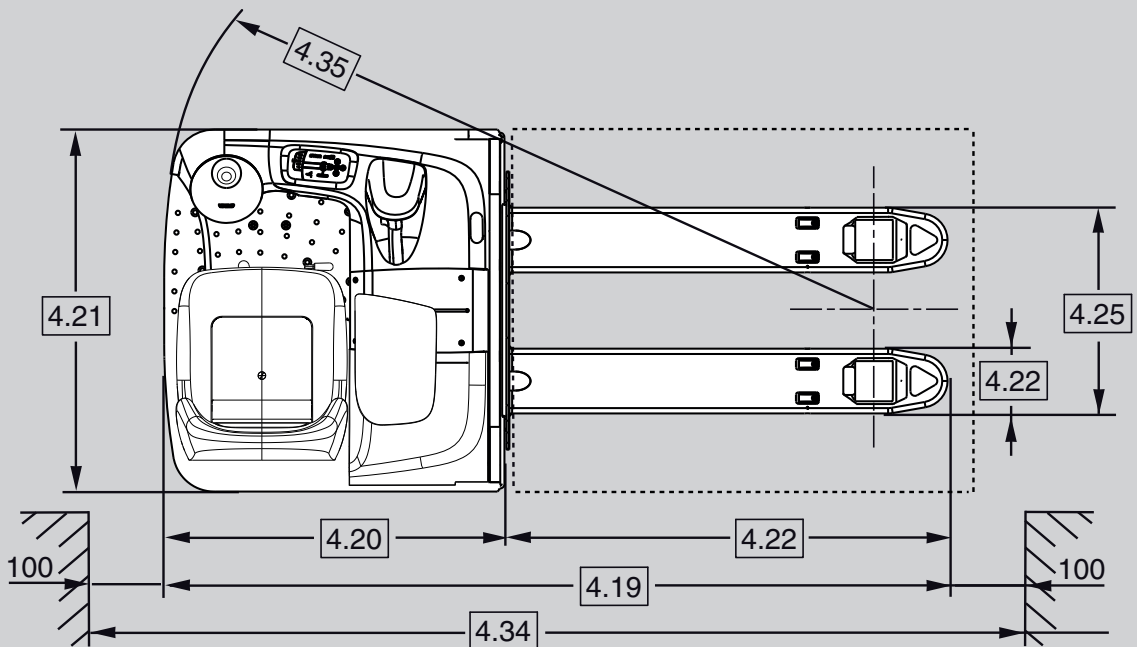
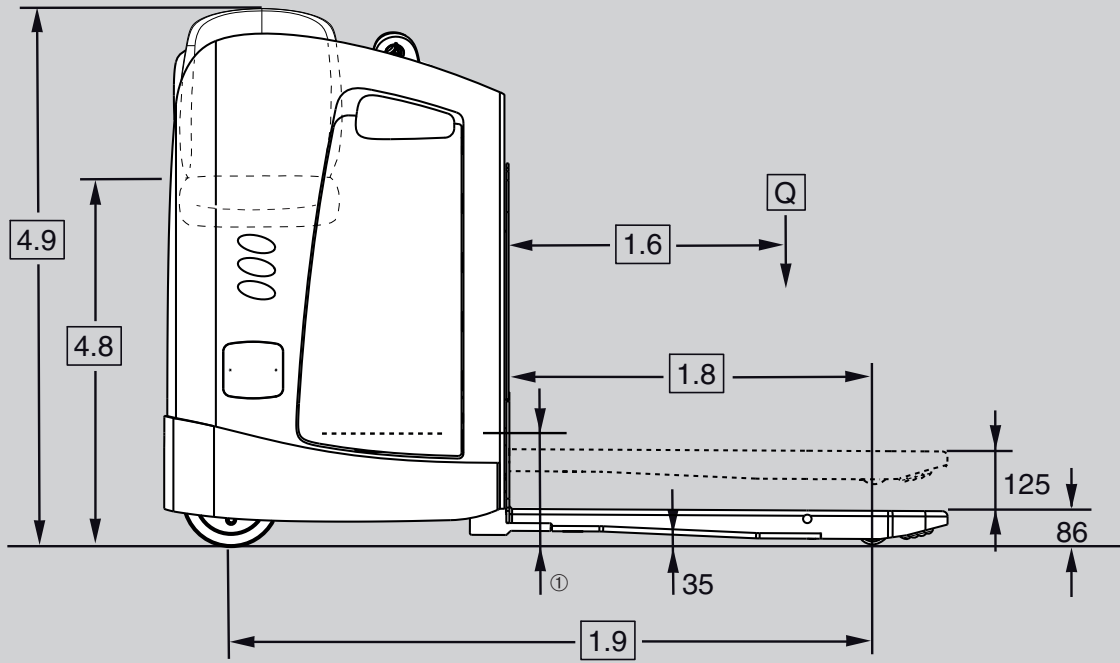


RT 4020



① 260 mm Battery Rollers

RT 4040



① 260 mm Battery Rollers

General Information	1.1	Manufacturer	Crown Equipment Corporation					
	1.2	Model			RT 4020-2.0	RT 4040-2.0		
	1.3	Power			electric			
	1.4	Operator Type			Stand-up	Sit-down		
	1.5	Load Capacity		Q	t	2.0	2.0	
	1.6	Load Centre		c	mm	see table 1		
	1.8	Load Distance	raised	x	mm	see table 1		
	1.9	Wheel Base	raised	y	mm	see table 1		
	Weights	2.1	Weight	less battery		kg	see table 1	
2.2		Axle Load	w. load, front / rear		kg	see table 1		
2.3		Axle Load	w.o. load, front / rear		kg	see table 1		
Tyres	3.1	Tyres Type				Vulkollan		
	3.2	Wheel Size	front		mm	Ø 250 x 75		
	3.3	Wheel Size	rear		mm	Ø 82 x 100		
	3.4	Additional Wheels	castor wheel		mm	2x Ø 125 x 54		
	3.5	Wheels	number (x=driven) front/rear			1x + 2/2		
	3.6	Track Width	front	b10	mm	472	642	
	3.7	Track Width	rear	b11	mm	370		
Dimensions	4.4	Lift Height		h3	mm	211		
	4.8	Operator Stand/Seat Height		h7	mm	298	1051	
	4.9	Steering Wheel Height	in drive position		h14	mm	1302	1347
	4.15	Fork Height	lowered		h13	mm	86	
	4.19	Overall Length	raised / lowered identical		l1	mm	see table 1	
	4.20	Headlength	raised / lowered identical		l2	mm	876	906
	4.21	Overall Width			b1	mm	780	950
	4.22	Fork Dimension			thxwxl	mm	see table 1	
	4.22a	Fork Tip Length				mm	see table 1	
	4.25	Width Across Forks			b5	mm	see table 1	
	4.32	Ground Clearance	centre of wheelbase		m2	mm	35	
	4.34	Working Aisle Width ¹	800x1200 mm length, raised		Ast	mm	2277	2323
	4.35	Turning Radius	raised		Wa	mm	see table 1	
Performance	5.1	Travel Speed	w. / w.o. load		km/h	9.0 / 12.5		
	5.2	Lift Speed	w. / w.o. load		m/s	0.05 / 0.08		
	5.3	Lowering Speed	w. / w.o. load		m/s	0.05 / 0.08		
	5.8	Max. Gradeability	w. / w.o. load, 5 min. rating		%	8 / 24		
	5.10	Service Brake				electric		
Motors	6.1	Traction Motor	rating at S2 60 min H-class		kW	4.0		
	6.2	Lift Motor	rating at S3 15%		kW	1.3		
	6.3	Battery	acc. to DIN 43535			B	A	
	6.3	Max. Battery Box Size		lxwxh	mm	284x624x627 (288x628x784)	273x830x627 (277x835x784)	
	6.4	Battery Voltage ²	nominal capacity K5		V / Ah	24 / 315-375 (420-465)	24 / 420-465 (560-620)	
	6.5	Battery Weight ²	min./max.		kg	284/309 (402/418)	355/389 (502/522)	
10.7	Sound Level	acc. to EN 12053			dB(A)	62		

¹ Ast calculation based on standard truck configuration with 1150 mm fork length and 368 mm fork tip length

² With optional larger battery use values in brackets

Table 1

1.2	Model	RT 4020													
1.6	Load Centre		c	mm	500	600	600	700	800	800	800	1000	1000	1200	1200
1.8	Load Distance ¹	raised	x	mm	757	907	957	1157	1357	1032	995	1432	1395	1832	1795
1.9	Wheel Base ¹	raised	y	mm	1456	1606	1656	1856	2056	1731	1694	2131	2094	2531	2494
2.1	Weight	less battery		kg	687	692	694	700	727	727	727	753	753	778	778
2.2	Axle Load	w. load	front	kg	857	901	954	1031	1105	800	758	974	943	1098	1073
		w. load	rear	kg	1830	1791	1740	1669	1622	1927	1969	1779	1810	1680	1705
2.3	Axle Load	w.o. load	front	kg	504	518	523	539	563	532	528	569	565	599	596
		w.o. load	rear	kg	183	174	171	161	164	195	199	184	188	179	182
4.19	Overall Length		l1	mm	1876	2026	2076	2276	2476	2476	2476	2876	2876	3276	3276
4.22	Fork Length		l	mm	1000	1150	1200	1400	1600	1600	1600	2000	2000	2400	2400
4.22	Fork Dimensions		thxw	mm	60 x 170					60 x 182					
4.22a	Fork Tip Length			mm	368	368	368	368	368	693 *	730 **	693 *	730 **	693 *	730 **
4.25	Width Across Forks			mm	540 / 520 / 560 / 670					550 / 530 / 570 / 680					
4.35	Turning Radius ¹	raised	Wa	mm	1634	1784	1834	2034	2234	1909	1872	2309	2272	2709	2672

1.2	Model	RT 4040													
1.6	Load Centre		c	mm	500	600	600	700	800	800	800	1000	1000	1200	1200
1.8	Load Distance ¹	raised	x	mm	757	907	957	1157	1357	1032	995	1432	1395	1832	1795
1.9	Wheel Base ¹	raised	y	mm	1488	1638	1688	1888	2088	1763	1726	2163	2126	2563	2526
2.1	Weight	less battery		kg	752	757	759	765	792	792	792	818	818	843	843
2.2	Axle Load	w. load	front	kg	905	949	1002	1080	1154	852	810	1026	994	1150	1125
		w. load	rear	kg	1847	1808	1757	1685	1638	1940	1982	1792	1824	1693	1718
2.3	Axle Load	w.o. load	front	kg	556	572	577	593	618	586	582	624	621	655	653
		w.o. load	rear	kg	196	185	182	172	174	206	210	194	197	188	190
4.19	Overall Length		l1	mm	1906	2056	2106	2306	2506	2506	2506	2906	2906	3306	3306
4.22	Fork Length		l	mm	1000	1150	1200	1400	1600	1600	1600	2000	2000	2400	2400
4.22	Fork Dimensions		thxw	mm	60 x 170					60 x 182					
4.22a	Fork Tip Length			mm	368	368	368	368	368	693 *	730 **	693 *	730 **	693 *	730 **
4.25	Width Across Forks			mm	540 / 520 / 560 / 670					550 / 530 / 570 / 680					
4.35	Turning Radius ¹	raised	Wa	mm	1680	1830	1880	2080	2280	1955	1918	2355	2318	2755	2718

¹ Forks lowered + 58 mm

* Only with single load wheel

** Only with tandem load wheel

Electric System / Batteries

24-volt electrical system with nominal battery capacities from 315 Ah to 465 Ah (RT 4020) and from 420 to 620 (RT 4040). The battery can be removed horizontally.

Standard Equipment

- Maintenance free 3-phase Crown (AC) traction motor
- e-GEN® Braking System offers regenerative and frictionless electric braking. Mechanical braking applies only as parking brake
- Crown Access 1 2 3® Comprehensive System Control
 - LCD display
 - Keyless start up with PIN code
 - Start up and run time diagnostics
 - Battery discharge indicator and lift interrupt
 - 3 selectable traction performance profiles
 - Hour meters for monitoring various truck operating components
 - Onboard diagnostics with real time trouble-shooting capabilities
 - Steering wheel direction indicator
- Operator compartment – RT 4020
 - Right hand steering
 - Suspended floorboard
 - Integrated presence sensor
 - Wraparound soft foam lean pad
- Operator compartment – RT 4040
 - Left hand steering
 - Adjustable floorboard height
 - Weight-adjustable suspended vinyl seat with for/aft adjustment
- Sealed electrical Deutsch Connectors
- Electric power disconnect switch
- Vulkollan drive tyre, castor wheels and load wheels
- Single load wheels
- Ramp hold
- Battery connector DIN 160 A

- Heavy-duty reinforced fork assembly
- Heavy-duty chassis with 8 mm thick steel skirt
- Easily removable steel covers
- Steel battery cover for easy battery access
- Intelligent Electronic Steering System with speed reduction in curves
- Pallet entry/exit rollers

Optional Equipment

- Left hand steering on RT 4020
- Fork length and spread options
- Battery rollout with safety interlock
- Battery connector SBE 160 red, SB 175 red, SB 175 grey
- Onboard charger (RT 4020 with 315-375 Ah only)
- Fabric seat (RT 4040)
- Traction tyre options: Rubber, rubber siped, powerfriction or Supertrac
- Tandem load wheels
- Freezer conditioning and corrosion protection
- InfoLink® ready
- 12V clean power supply
- 24V power supply
- Key switch or key pad
- Load backrest
- Audible travel alarm
- Welded fork marks for cross pallet positioning
- Special paint
- Flashing beacon
- Work Assist accessory tube
- Work Assist Accessories
 - Load tray
 - Storage pockets
 - Beverage holder
 - Trash bag holder
 - Scan gun holder
 - Small, medium and large clip boards
 - Mounting brackets for WMS terminals
- Lithium-Ion Battery Ready

Electrical

24 volt electrical system managed by Crown's Access 1 2 3 Comprehensive System Control. Virtually maintenance-free AC traction motor provides strong acceleration and control at any speed.

Power Unit

Designed to take the abuse of dock work, the rugged power unit features a reinforced 8 mm thick skirt to protect drive unit and caster components. A 8 mm skirt protects the battery and lift linkage. Removable steel covers ensure internal components are protected against impacts yet easily accessible for service.

Operator Area and Controls

The RT 4020 features a patented Entry Bar Safety Switch which alerts operators if their foot is outside the protection of the operator compartment. If the operator steps on the Entry Bar, traction is disengaged, an alarm sounds and "Entry Bar" is shown on the truck display. Low step height and wide, rounded access make it easy to step on and off the truck.

A contoured lean pad on the RT 4020 provides a soft contact surface to lean against. Side-stance operation provides for maximum visibility in both driving directions. The hand grip are urethane covered for insulation from cold and vibration with integrated horn button for easy activation. An ergonomic forward/reverse thumb wheel allows for precise manoeuvring.

The electronic steering improves manoeuvrability and responsiveness, even with heavy loads. Combined with speed control in curves, electronic steering safely delivers top driving performance.

Access 1 2 3® Comprehensive System Control

Crown's Access 1 2 3 technology provides optimum performance and control by offering a communications interface for the operator and service engineer, intelligent coordination of lift truck systems and simplified service with advanced diagnostics. The display includes a full featured on-board service tool

so service engineers can actively view inputs and outputs during truck operation. No laptop or service terminal is required. Event code history, including the last 16 events, is accessible through the display. The display provides a convenient interface for operators, keeping them informed (hour meters, BDI, operator messages, service codes) of any changes impacting truck performance and allowing them to choose from three performance profiles when enabled. Performance tuning can be accessed at the display to customise truck performance for specific applications or operator requirements. In addition, up to 25 PIN codes can be assigned to individual operators and matched to one of the pre-programmed performance profiles if desired.

e-GEN® Braking System

The power of the high-torque AC traction motor is used to stop the truck and keep it static until a travel input is requested, even when operating on a gradient. This system eliminates adjustments and wear points for a lifetime of maintenance free use.

An automatic parking brake activates if the truck is stopped and the operator leaves the platform or power is disconnected.

Safety Regulations

Conforms to European safety standards.

Dimensions and performance data given may vary due to manufacturing tolerances. Performance is based on an average size vehicle and is affected by weight, condition of truck, how it is equipped and the conditions of the operating area. Crown products and specifications are subject to change without notice.

